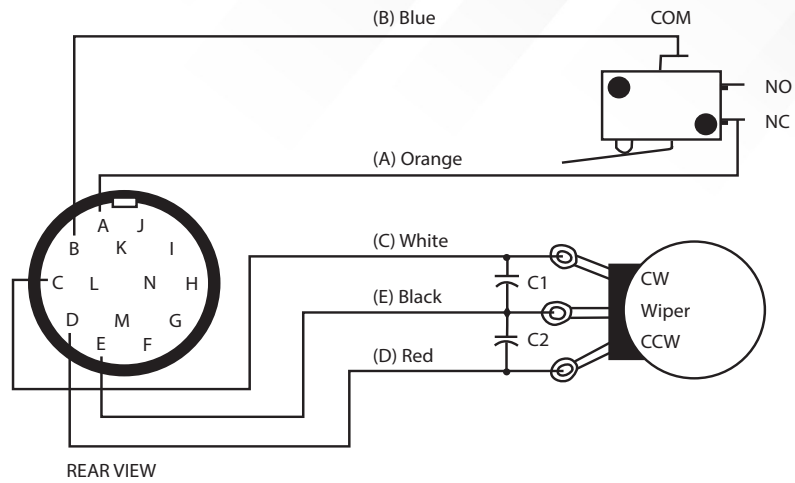


NO	P/N	DESCRIPTION	MFC-14	LFC-870	EFC-14
1	9340	Pinion gear	1	1	1
2	9341	Rubber base pad	3	3	3
3	9342	#8-10 x 1.250 Screw	2	2	2
4	9343	Micro switch	1	1	1
5	9344	#8-32 x .281 Screw	1	1	1
6	9345	#6-32 x .1875 Screw	1	1	1
7	9346	Nylon bearing	1	1	1
8	9347	#4-40 x .500 Screw	2	2	2
9	9348	Rubber bumper pad	1	1	1
10	9349	Rubber foot pad	1	1	1
11	9350	Mount bracket	1	1	1
12	9351	Spacer nut	1	1	1
13	9352	Cable clamp	1	1	1
14	9353	Top cover	1	1	1
15	9354	#8-32 x .250 Screw	2	2	2
16	9355	Insulation	1	1	1
17	9356	Inner plate	1	1	1
18	9357	Pivot rod asseby	1	1	1
19	9358	Potentiometer bracket	1	1	1

NO	P/N	DESCRIPTION	MFC-14	LFC-870	EFC-14
20	9359	Arc-Zone Logo	1	1	1
21	9360	Arc-Zone Logo	3	3	3
22	9353	Arc-Zone Logo	2	2	2
23	9361	Spring	1	1	1
24	9362	Base	1	1	1
25	9263	Spur gear level	1	1	1
26	9364	25' cord set with 14 pin plug	1	1	1
27	9365	25' cord set with 6 pin plug	2	2	2
28	9354	25' cord set with 14 pin plug	1	1	1
29	9366	#8-32 x .375 Screw	1	1	1
30	9367	Warning Label	1	1	1
31	9368	Potentiometer 10K, 1T, 2W	1	1	1
32	9369	Potentiometer 1K, 1T, 2W	1	1	1
33	9370	Warning Label	1	1	1
34	9317	Miller 14 pin plug only	2	2	2
35	9319	Lincoln 6 pin plug only	1	1	1
36	S12020-32	ESAB® 14 pin plug only	1	1	1
37	9371	Capacitator 4700VF,3KV	1	1	1
38	9372	1-5/16 x 1-3/4 Heat shrink tubing	1	1	1

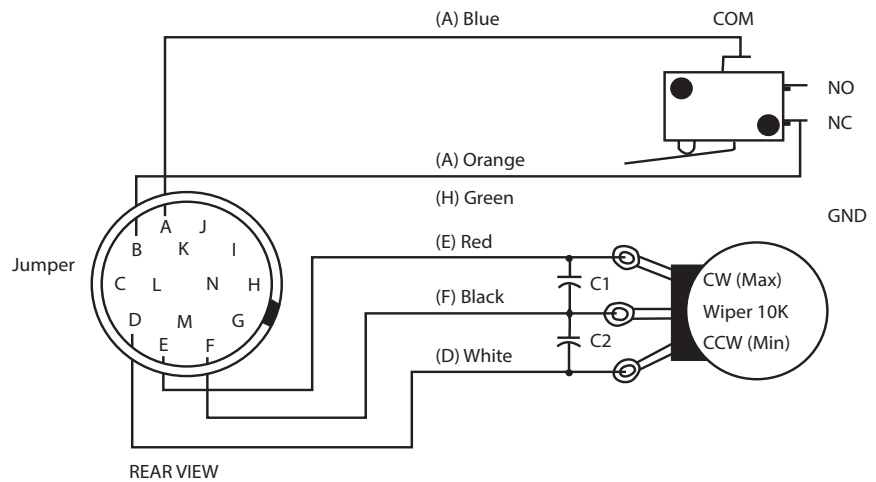
MFC-14

WIRING DIAGRAM



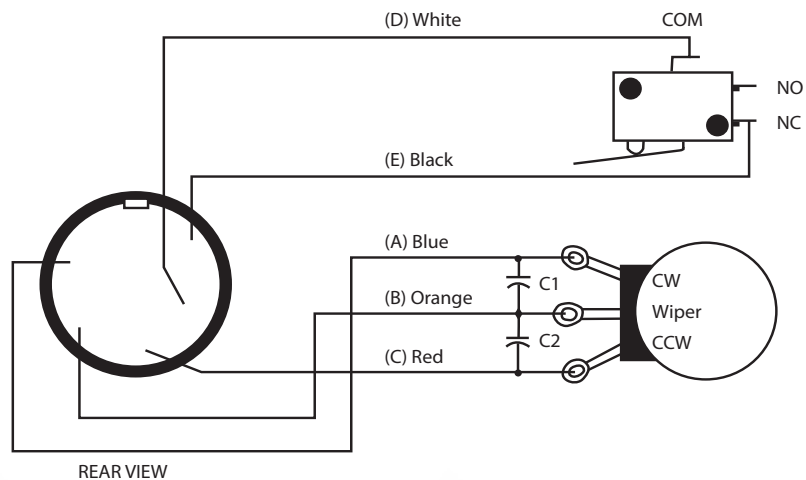
EFC-14

WIRING DIAGRAM



LFC-14

WIRING DIAGRAM



Arc-Zone.com, Inc.